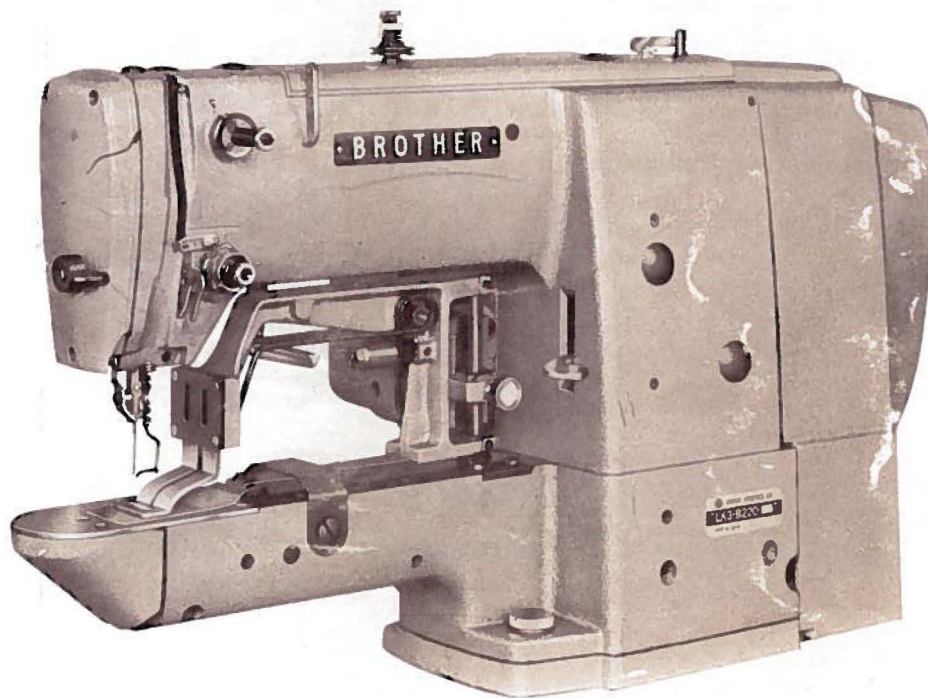


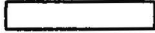

PARTS BOOK
FOR
BROTHER LK3-B220



High Speed Bar Tack Machine

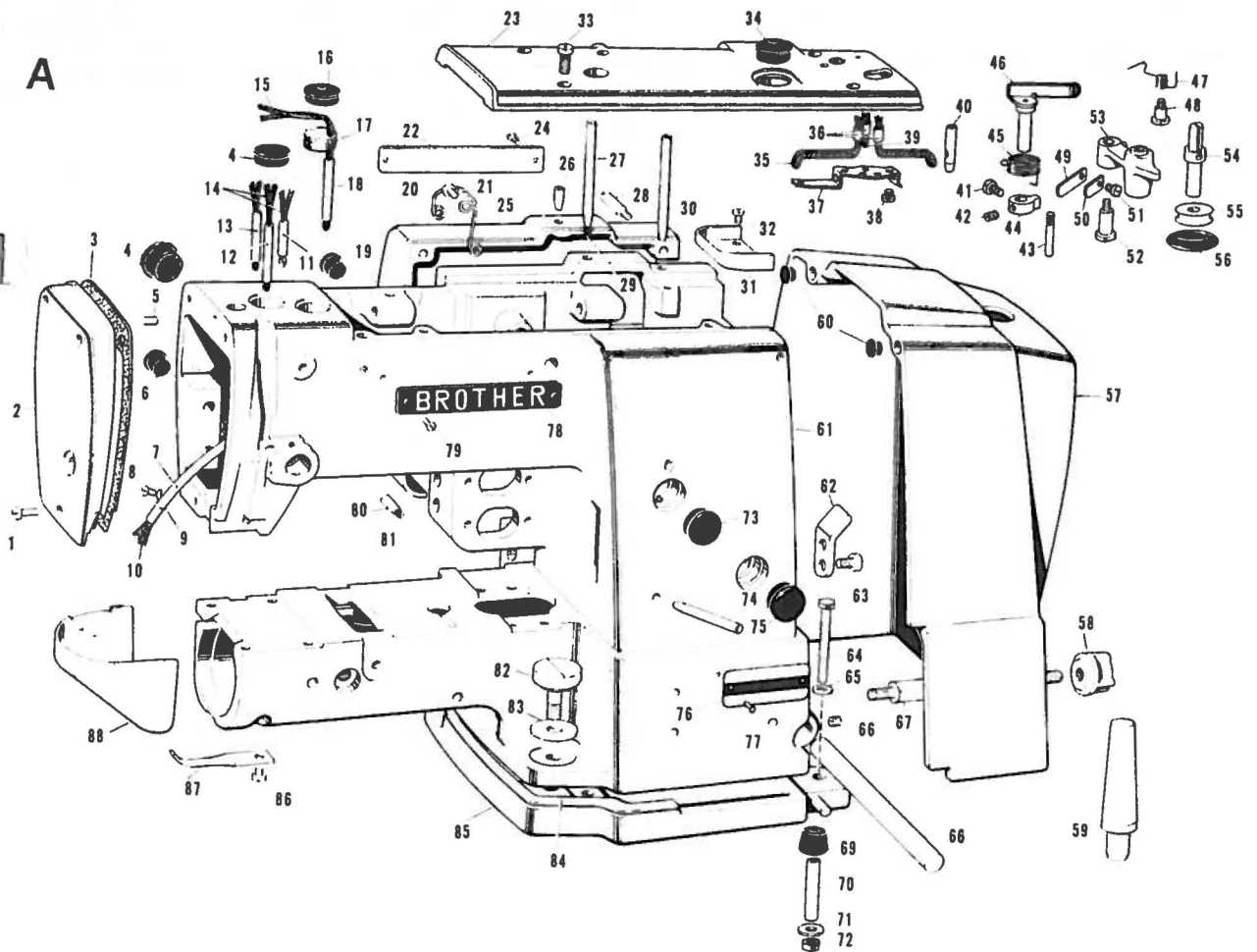
BROTHER INDUSTRIES, LTD.
NAGOYA, JAPAN

Hou to use the parts book

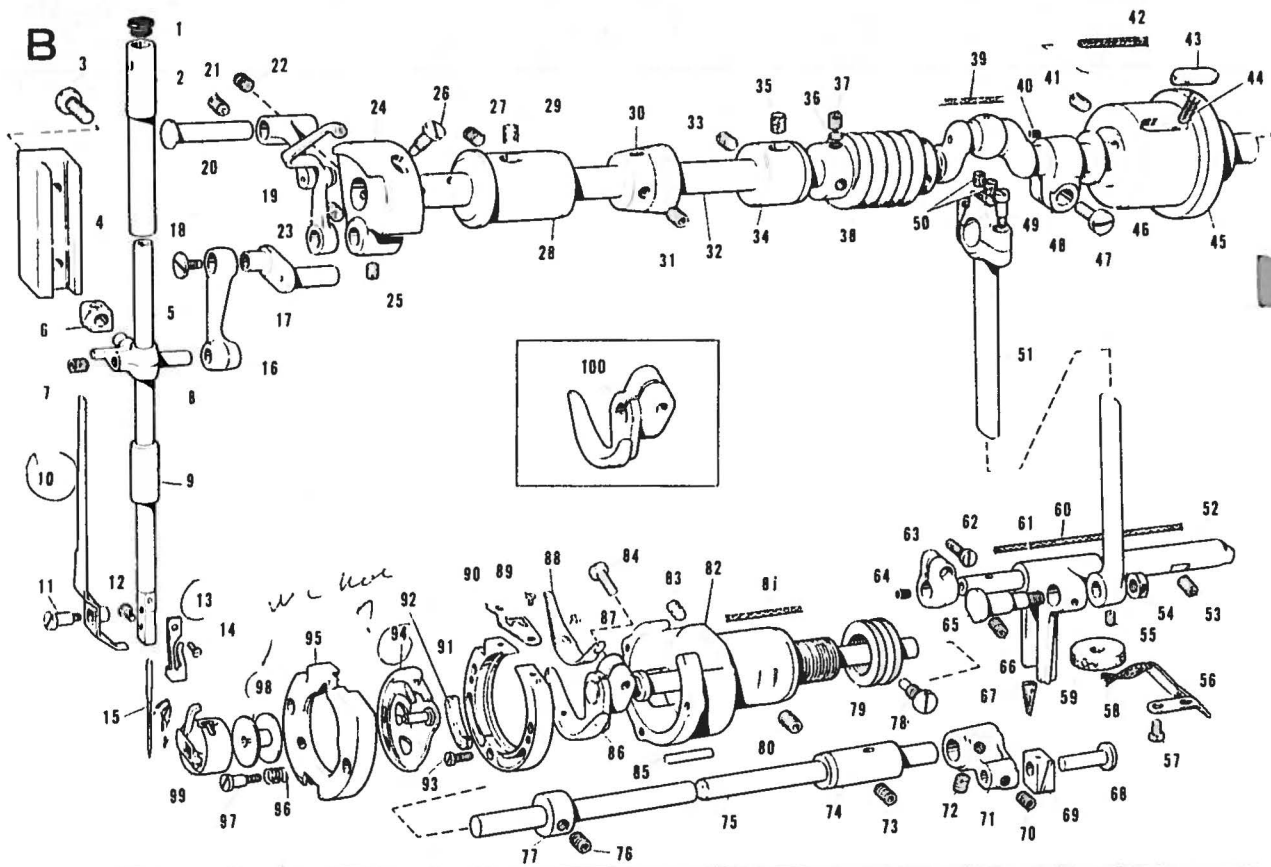
1. When the column for the parts number or the parts assembly number is , please refer to the different parts list on the page 11.
2. When the column for the parts number is , the parts cannot be supplied. But when the parts number is shown in the column, please order the parts by the parts assembly number so that the parts can be arranged in the form assembled parts.
3. The parts whose number is marked with ※ is not rapped together with the parts to be fitted. Therefore, please order the parts together with the fitting parts as a unit.

CONTENTS

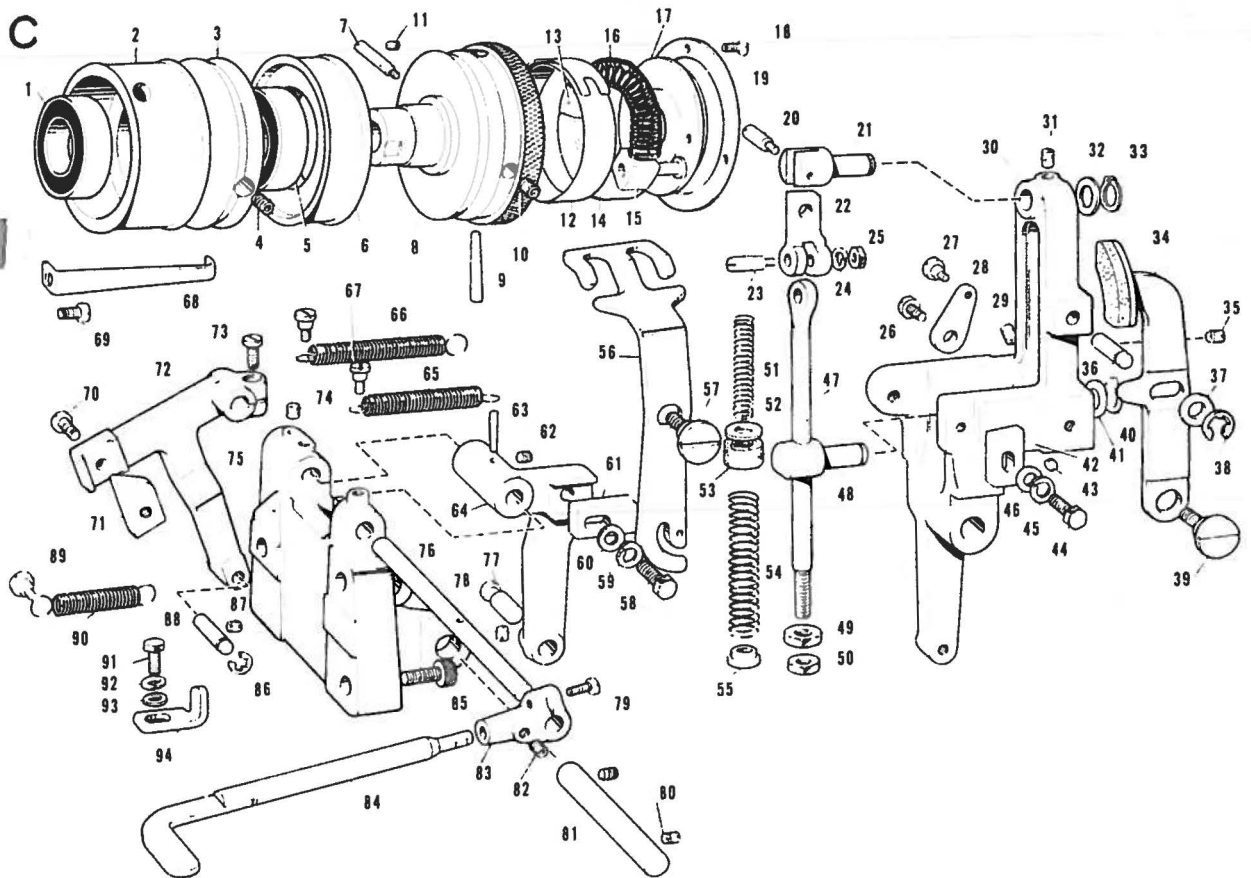
A. Machine Body	1
B. Upper Shaft and Lower Shaft Mechanism	2
C. Pulley and Clutch Mechanism	3
D. Clutch Mechanism	4
E. Feed Cam and Tack Length Feed Mechanism	5
F. Work Clamp and Tack Width Feed Mechanism	6
G. Thread Trimming Mechanism	7
H. Work Clamp Lifting Mechanism	8
I. Thread Nipper Mechanism	9
Z. Accessary	10
DIFFERENT PARTS LIST	11
INDEX	12



Ref. No.	Name of parts	Qty	Parts No.	Assembly No.	Ref. No.	Name of parts	Qty	Parts No.	Assembly No.
A-1	Screw	3	009711-4-12		A-45	Spring	1	145274-0-01	
A-2	Face Plate	1	141994-0-01		A-46	Bobbin Presser	1	146984-0-01	
A-3	Face Plate Packing	1	143449-0-01		A-47	Spring	1	141757-0-01	
A-4	Oil Cap	2	140392-0-01		A-48	Stud Screw	1	103317-0-01	
A-5	Oil Cap	1	142274-0-01		A-49	Spring Plate	1	111942-0-01	
A-6	Oil Cap	1	117934-0-01		A-50	Washer	1	111943-0-01	
A-7	Vinyl Tube	1	117021-0-00		A-51	Screw	1	100880-0-01	
A-8	Screw	1	009670-6-12		A-52	Stud Screw	1	104212-0-01	
A-9	Vinyl Tube Holder	1	117150-0-01		A-53	Bobbin Winder Shaft Holding Bracket	1		
A-10	Wick	1	142253-0-01		A-54	Bobbin Winder Shaft	1		146983-0-01
A-11	Oil Pipe	1	116968-0-00		A-55	Bobbin Winder Wheel	1		
A-12	Oil Pipe	1	116968-0-00		A-56	Rubber Ring	1	120448-0-01	
A-13	Oil Pipe	1	116967-0-00		A-57	Belt Cover	1	141999-0-01	
A-14	Wick	3	118768-0-00		A-58	Belt Cover Support Knob	1	142001-0-01	
A-15	Wick	1	118955-0-00		A-59	Head Rest	1	142005-0-00	
A-16	Oil Cap	1	141744-0-01		A-60	Snapper cap	2	104450-0-01	
A-17	Felt (A)	1	141742-0-01		A-61	Arm bed	1		
A-18	Oil Pipe	1	116969-0-00		A-62	Head Supporter	1	142422-0-01	
A-19	Oil Cap	1	117934-0-01		A-63	Screw	2	009814-6-12	
A-20	Wick Holder	1	143557-0-01		A-64	Bolt	4	144541-0-01	
A-21	Screw	1	112751-0-03		A-65	Washer	4	025060-2-32	
A-22	Name Plate	1			A-66	Screw	2	011761-0-12	
A-23	Arm Cover	1	141751-0-01		A-67	Belt Cover Support Shaft	1	142000-0-01	
A-24	Screw	2	102731-0-02		A-68	Bed Hinge Shaft	1	141761-0-01	
A-25	Cam Cover	1	147256-0-00		A-69	Cushion	4	146255-0-00	
A-26	Oil Pipe	2	100486-0-00		A-70	Pipe	4	147667-0-01	
A-27	Oil Pipe	1	142087-0-00		A-71	Washer	4	025066-3-32	
A-28	Screw	3	141748-0-01		A-72	Nut	4	021060-1-02	
A-29	Wick	1	114240-0-00		A-73	Oil Cap	1	140392-0-01	
A-30	Oil Pipe	1	142087-0-00		A-74	Oil Pipe	1	142081-0-00	
A-31	Duster Plate	1	141745-0-01		A-75	Oil Cap	1	140392-0-01	
A-32	Screw	2	100242-0-03		A-76	Model Plate	1	143231-0-01	
A-33	Screw	4	009761-4-12		A-77	Pin	2	116231-0-01	
A-34	Oil Cap	1	141744-0-01		A-78	Name Plate	1		
A-35	Wick	2	147159-0-01		A-79	Screw	2	102731-0-02	
	Oil Pipe	3	116968-0-00		A-80	Oil Pipe	1	100486-0-00	
	Wick Holder	1	141753-0-01		A-81	Wick	1	108805-0-01	
	Screw	2	009680-6-12		A-82	Head Fixing Screw	1	141762-0-01	
A-39	Wick	1	147158-0-01		A-83	Washer	1	101015-0-01	
A-40	Oil Pipe	1	147207-0-00		A-84	Head Base Packing	1	143450-0-01	
A-41	Screw	1	140557-0-01		A-85	Head Base	1	141760-0-00	
A-47	Screw	1	013689-4-12		A-86	Screw	1	009680-7-13	
A-43	Pin	1	141752-0-01		A-87	Spring Plate	1	141812-0-01	
A-44	Bobbin Winder Pawl	1	142566-0-01		A-88	Shuttle Race Cover	1	147268-0-00	

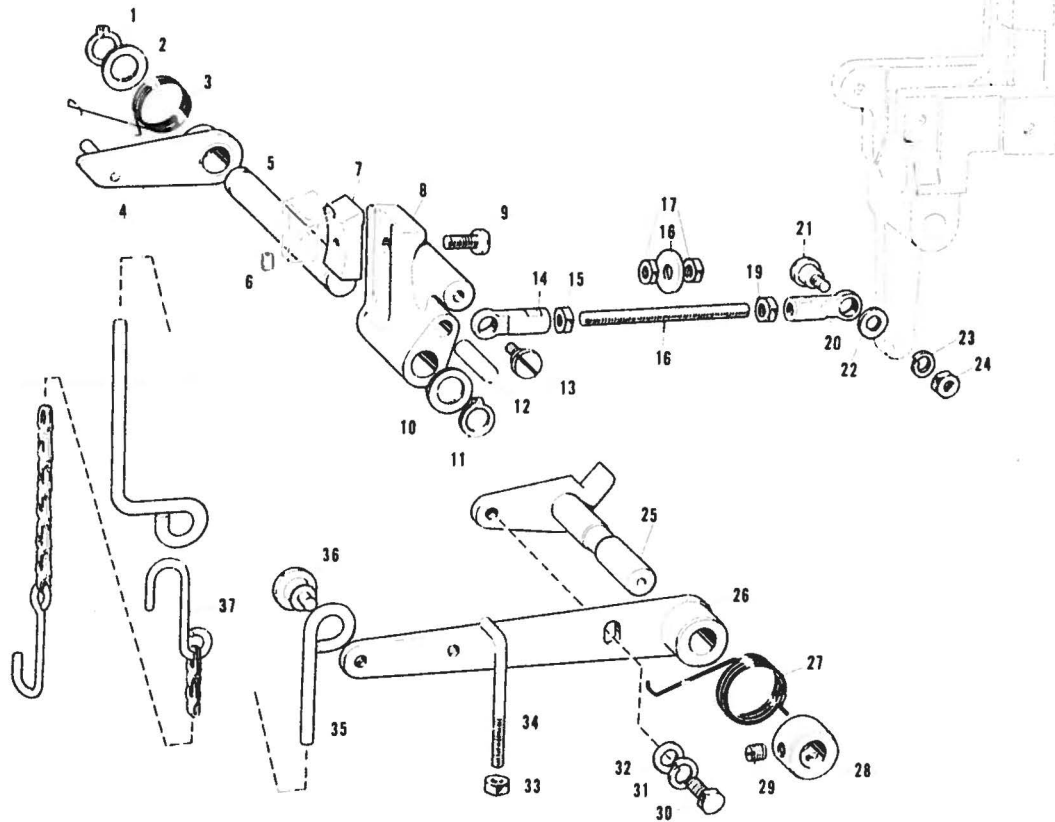


Ref. No.	Name of parts	Qty	Parts No.	Assembly No.	Ref. No.	Name of parts	Qty	Parts No.	Assembly No.
B-1	Oil Cap	1	117936-0-01		B-51	Crank Rod	1	141785-0-01	
B-2	Needle Bar Bushing Upper	1	141777-0-01		B-52	Oscillating Rock Shaft	1	141788-0-01	
B-3	Screw	1	009781-4-12		B-53	Screw	1	013761-0-12	
B-4	Needle Bar Guide	1	141780-0-00		B-54	Nut	1	104689-0-01	
B-5	Needle Bar	1			B-55	Screw	1	014680-6-22	
B-6	Slide Block	1	142211-0-01		B-56	Wick Supporter	1	142379-0-01	
B-7	Screw	1	014760-6-22		B-57	Screw	2	009680-6-12	
B-8	Needle Bar Clamp	1	141775-0-01		B-58	Wick	1	118768-0-01	
B-9	Needle Bar Bushing Lower	1	141778-0-01		B-59	Felt	1	142293-0-01	
B-10	Nipper Fastening Plate	1	141779-0-01		B-60	Wick	1	112750-0-00	
B-11	Stud Screw	1	115404-0-01		B-61	Oscillating Rock Body	1	141787-0-01	
B-12	Screw	1	009670-4-14		B-62	Screw	1	009681-2-10	
B-13	Thread Nipper Spring	1	115489-0-01		B-63	Set Collar	1	141789-0-01	
B-14	Screw	1	102626-0-05		B-64	Oil Cap	1	142274-0-01	
B-15	Needle	1			B-65	Stud Screw	1	141786-0-01	
B-16	Needle Bar Crank Rod	1			B-66	Screw	1	013761-2-12	
B-17	Needle Bar Crank	1			B-67	Felt	1	115434-0-01	
B-18	Screw	1	100253-0-01	181030-0-01	B-68	Lower Shaft Crank Pin	1	141794-0-01	
B-19	Thread Take-up Lever	1			B-69	Side Block	1	142210-0-01	
B-20	Stud for Thread Take-up Supporter	1			B-70	Screw	1	014680-6-22	
B-21	Screw	1	013761-2-12		B-71	Lower Shaft Crank	1	141793-0-01	
B-22	Screw	1	013780-7-10		B-72	Screw	2	014770-6-22	
B-23	Screw	1	013770-6-12		B-73	Screw	1	013760-8-12	
B-24	Counter Weight	1	141773-0-00		B-74	Lower Shaft Bushing	1	141801-0-01	
B-25	Screw	1	101706-0-01		B-75	Lower Shaft	1	147142-0-01	
B-26	Screw	1	100250-0-01		B-76	Screw	2	014770-6-22	
B-27	Screw	1	013761-2-12		B-77	Set Collar	1	110495-0-03	
B-28	Upper Shaft Bushing Left	1	141772-0-01		B-78	Guide Screw	1	142792-0-01	
B-29	Felt	1	140560-0-01		B-79	Shuttle Hook Adjusting Ring	1	141806-0-01	
B-30	Collar	1	143556-0-01		B-80	Screw	1	014760-6-22	
B-31	Screw	2	107053-0-01		B-81	Wick	1		
B-32	Upper Shaft	1	141765-0-01		B-82	Shuttle Race Body	1		181029-0-01
B-33	Screw	1	013761-2-12		B-83	Felt	1	107149-0-01	
B-34	Upper Shaft Bushing Intermediate	1	141771-0-01		B-84	Screw	1	009711-4-12	
B-35	Felt	1	140560-0-01		B-85	Guide Pin	1	141808-0-01	
B-36	Washer	1	147151-0-00		B-86	Shuttle Driver	1	141797-0-01	
B-37	Screw	6	014760-6-22		B-87	Screw	2	100191-0-04	141796-0-01
B-38	Worm	1			B-88	Shuttle Driver Spring	1	141798-0-01	
B-39	Wick	1	142794-0-01		B-89	Screw	2	100105-0-04	
B-40	Oil Cap	2	142274-0-01		B-90	Shuttle Race Thread Guide	1		
B-41	Screw	1	013761-0-12		B-91	Shuttle Race	1	141805-0-01	
B-42	Wick	1	115515-0-01		B-92	Felt	2	144190-0-00	
B-43	Felt	1	100598-0-01		B-93	Screw	3	100064-0-05	
B-44	Wick	1	143444-0-01		B-94	Shuttle Hook	1	116827-0-01	
B-45	Upper Shaft Bushing Right	1	141766-0-01		B-95	Shuttle Race Ring	1	142688-0-01	
B-46	Washer	1	143858-0-01		B-96	Spring	2	105832-0-00	
B-47	Screw	1	106764-0-01		B-97	Screw	2	105831-0-01	
B-48	Upper Shaft Collar	1	141770-0-01		B-98	Bobbin	1	145265-0-01	
B-49	Screw	2	110686-0-01		B-99	Bobbin Case	1	116828-0-01	
B-50	Felt	2	107149-0-01		B-100	Shuttle Driver	1	144478-0-01	



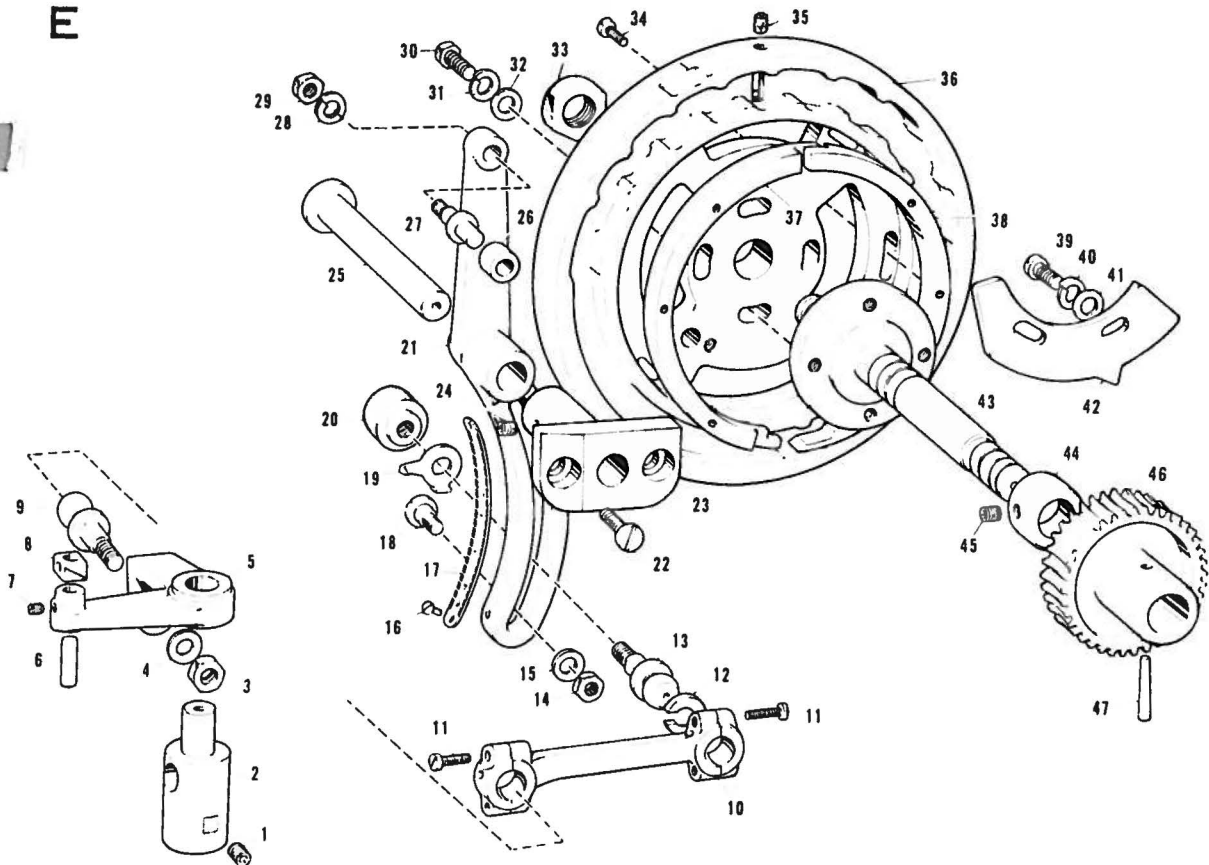
Ref. No.	Name of parts	Q'ty	Parts No.	Assembly No.	Ref. No.	Name of parts	Q'ty	Parts No.	Assembly No.
C-1	Ball Bearing	1	143448-0-00		C-48	Holder	1	115562-0-01	
C-2	Bobbin Winder Pulley	1	141784-0-01		C-49	Nut	1	021860-2-02	
C-3	Slow Speed Pulley	1	141783-0-01		C-50	Nut	1	100075-0-04	
C-4	Screw	1	013261-4-12		C-51	Stopper Spring (B)	1	115551-0-01	
C-5	Ball Bearing	1	143448-0-00		C-52	Washer	1	025100-1-32	
C-6	Idle Pulley	1	141782-0-01		C-53	Felt	1	115550-0-01	
C-7	Pulley Stud	1	141282-0-01		C-54	Stopper Spring (A)	1	147639-0-01	
C-8	High Speed Pulley	1	141781-0-01		C-55	Washer	1	115549-0-01	
C-9	Taper Pin	1	147111-0-01		C-56	Belt Shifter	1	141951-0-01	
C-10	Screw	1	014770-6-22		C-57	Stud Screw	1	141953-0-01	
C-11	Screw	1	109184-0-01		C-58	Bolt	1	017782-0-12	
C-12	Spring Cover for Pulley	1	142751-0-01		C-59	Spring Washer	1	028770-2-42	
C-13	Block for Plunge Spring	1	141281-0-01		C-60	Washer	1	025770-2-32	
C-14	Plunge Spring Holder	1	141284-0-00		C-61	Clutch Stop Latch	1	141962-0-01	
C-15	Block for Stop Cam	1	141285-0-01		C-62	Screw	1	014760-6-22	
C-16	Plunge Spring	1	141283-0-01		C-63	Taper Pin	1	046302-5-20	
C-17	Stop Cam	1	141286-0-01		C-64	Clutch Tripping Lever	1	141961-0-01	
C-18	Screw	3	117348-0-01		C-65	Brake Lever Spring	1	141960-0-01	
C-19	Stop Cam Rine	1	141289-0-01		C-66	Clutch Lever Spring	1	141959-0-01	
C-20	Stud Screw	1	115544-0-01		C-67	Stud Screw	2	141535-0-01	
C-21	Clutch Stopper Holder	1	142667-0-01		C-68	Belt Guide Plate	1	141975-0-01	
C-22	Clutch Stopper	1	143941-0-01		C-69	Screw	1	009761-0-12	
C-23	Clutch Stopper Stud	1	115546-0-01		C-70	Screw	1	009771-0-12	
C-24	Spring Washer	1	028050-2-42		C-71	Clutch Tripping Dog	1	144536-0-01	
C-25	Nut	1	021710-2-02		C-72	Clutch Tripping Dog Lever	1	141970-0-01	
C-26	Screw	1	009761-2-12		C-73	Screw	1	009761-4-12	
C-27	Stud Screw	1	110171-0-02		C-74	Felt	1	107149-0-01	
C-28	Spring Adjusting Plate	1	115558-0-01		C-75	Clutch Lever Bracket	1	141957-0-01	
C-29	Felt	1	107149-0-01		C-76	Clutch Tripping Lever Shaft	1	141964-0-01	
C-30	Clutch Lever	1	144427-0-01		C-77	Stud Pin for Belt Shifter	1	141963-0-01	
C-31	Felt	1	107149-0-01		C-78	Screw	1	014760-6-22	
C-32	Washer	1	025100-1-32		C-79	Screw	1	009711-2-12	
C-33	Stop Ring	1	048100-1-42		C-80	Screw	2	014760-6-22	
C-34	Brake Lever	1	145978-0-01		C-81	Clutch Lever Shaft	1	141958-0-01	
C-35	Screw	1	014760-6-22		C-82	Screw	1	014760-6-22	
C-36	Brake Lever Pin	1	142214-0-01		C-83	Stop Lever Supporter	1	141965-0-01	
C-37	Washer	1	107153-0-02		C-84	Emergency Stop Lever	1	141966-0-01	
C-38	Stop Ring	1	048070-3-42		C-85	Screw	3	018103-0-20	
C-39	Stud Screw	1	141953-0-01		C-86	Stop Ring	1	048040-3-42	
C-40	Stop Ring	1	048100-1-42		C-87	Screw	1	013680-6-12	
C-41	Washer	1	025100-1-32		C-88	Pin	1	141972-0-01	
C-42	Clutch Lever Catch	1	141950-0-01		C-89	Stud Screw	1	110171-0-02	
C-43	Felt	1	140399-0-01		C-90	Spring	1	141973-0-01	
C-44	Bolt	1	017782-0-12		C-91	Bolt	1	017781-4-12	
C-45	Spring Washer	1	028770-2-42		C-92	Spring Washer	1	028770-2-42	
C-46	Washer	1	025770-2-32		C-93	Washer	1	025770-2-32	
C-47	Stopper Adjusting Spring Shaft	1	115547-0-01		C-94	Clutch Cam Lever Stopper	1	141974-0-01	

D



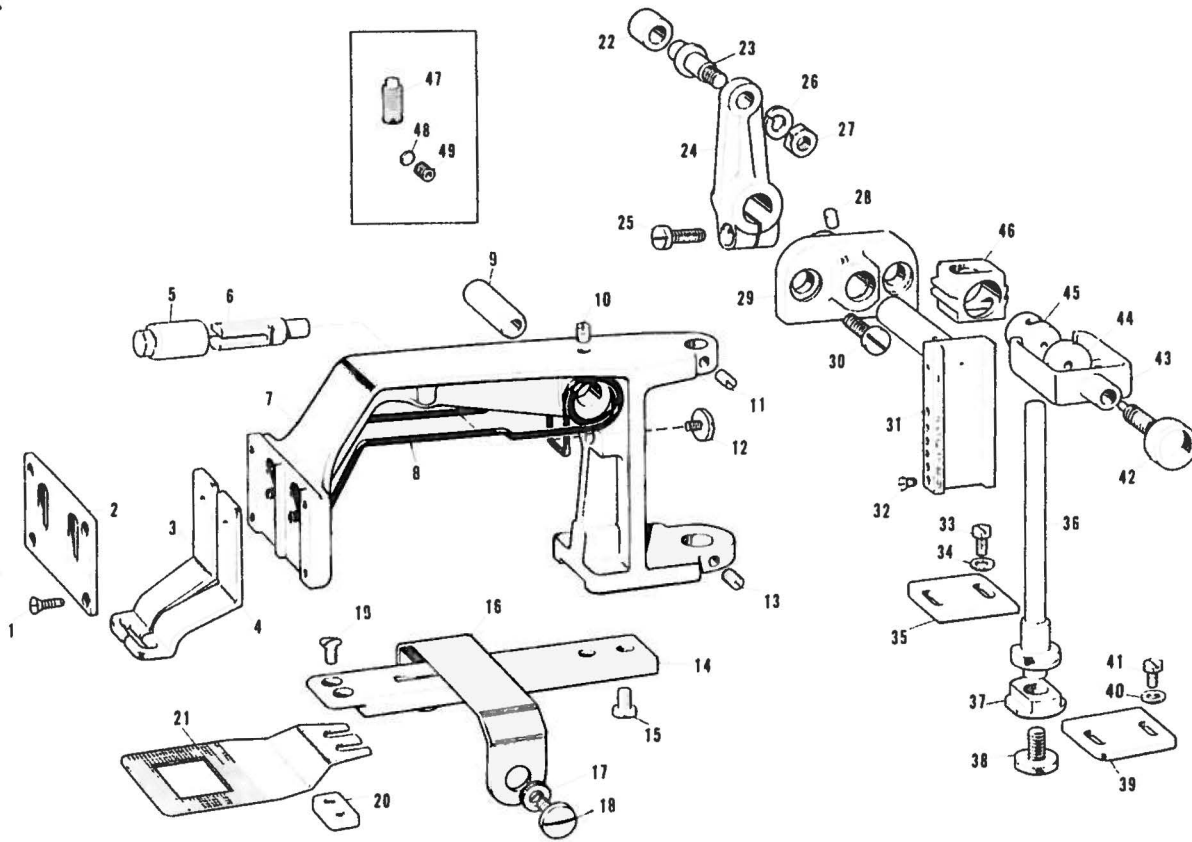
Ref. No.	Name of parts	Qty	Parts No.	Assembly No.	Ref. No.	Name of parts	Qty	Parts No.	Assembly No.
D-1	Stop Ring	1	048120-1-42		D-20	Joint	1	142433-0-01	
D-2	Washer	1	115007-0-02		D-21	Stud Screw	1	143988-0-02	
D-3	Spring	1	141981-0-01		D-22	Washer	1	118735-0-02	
D-4	Safety Lever	1	141980-0-01		D-23	Spring Washer	1	028770-2-42	
D-5	Drive Connecting Lever Shaft	1	141979-0-01		D-24	Nut	1	021770-1-03	
D-6	Screw	1	014760-6-22		D-25	Drive Lever Shaft	1	141985-0-01	
D-7	Drive Connecting Lever Pawl	1	141978-0-01		D-26	Clutch Actuating Lever	1	141984-0-01	
D-8	Drive Connecting Lever	1	141977-0-01		D-27	Spring	1	141986-0-01	
D-9	Screw	1	009771-4-12		D-28	Set Collar	1	117671-0-02	
D-10	Washer	1	115007-0-02		D-29	Screw	2	100251-0-01	
D-11	Stop Ring	1	048120-1-42		D-30	Bolt	1	017771-4-12	
D-12	Set Pin	1	141834-0-01		D-31	Spring Washer	1	028770-2-42	
D-13	Stud Screw	1	115389-0-02		D-32	Washer	1	025770-2-32	
D-14	Joint	1	142433-0-01		D-33	Nut	1	021760-2-02	
D-15	Nut	1	021760-2-02		D-34	Clutch Actuating Lever Stopper	1	141988-0-01	
D-16	Drive Connecting Bar	1	141983-0-01		D-35	Drive Connector	1	142270-0-01	
D-17	Nut	2	021760-2-02	141982-0-01	D-36	Stud Screw to Chain	1	141893-0-01	
D-18	Washer	1	143190-0-01		D-37	Chain	1	106812-0-01	
D-19	Nut	1	021760-2-02						

E



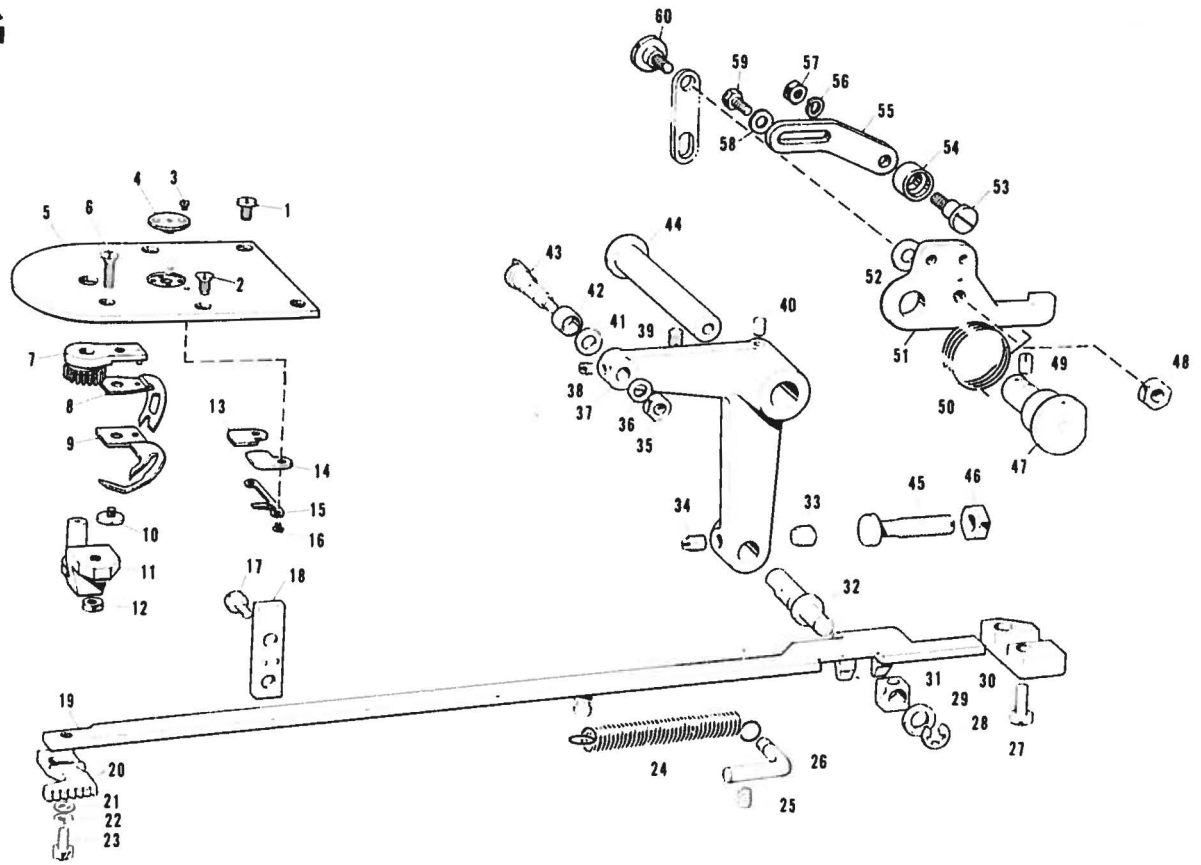
Ref. No	Name of part	Qty	Parts No.	Assembly No.	Ref. No	Name of parts	Qty	Parts No.	Assembly No.
E-1	Screw	1	014760-6-22	147181-0-01	E-25	Tack Length Feed Shaft	1	141826-0-01	
E-2	Tack Length Regulator Lever Stud	1	141835-0-01		E-26	Roller	1		
E-3	Nut	1	105812-0-02		E-27	Roller Stud	1		
E-4	Washer	1	025080-1-32		E-28	Washer	1	028060-2-42	
E-5	Tack Length Regulator Lever	1	141833-0-01		E-29	Nut	1	021760-2-02	
E-6	Set pin	1	141834-0-01		E-30	Bolt	4	017782-0-12	
E-7	Screw	1	013680-6-12		E-31	Spring Washer	4	028770-2-42	
E-8	Side Block	1	142211-0-01		E-32	Washer	4	025770-2-32	
E-9	Ball Stud	1			E-33	Nut	1	105844-0-03	
E-10	Tack Lengh Regulator Rod	1			E-34	Screw	6	009711-4-12	
E-11	Screw	4	009681-4-14		E-35	Felt	1	107149-0-01	
E-12	Washer	1	147164-0-00		E-36	Feed Cam	1		
E-13	Ball Stud	1			E-37	Knife Cam B	1		
E-14	Nut	1	021780-2-02		E-38	Knife Cam A	1		
E-15	Wather	1	025770-2-32		E-39	Screw	2	009781-4-12	
E-16	Screw	2	101275-0-04		E-40	Spring Washer	2	028770-2-42	
E-17	Tack Length Indicator	1	142122-0-01		E-41	Washer	2	025770-2-32	
E-18	Stud Screw	1	115389-0-02		E-42	Clutch Stopper Cam	1		
E-19	Tack Length Indicator Plate	1	144473-0-01		E-43	Worm Wheel Shaft	1	141815-0-01	
E-20	Thumb Screw	1	141831-0-01		E-44	Set Collar	1	141816-0-01	
E-21	Tack Length Regulator Lever	1	147167-0-01		E-45	Screw	2	014770-6-22	
E-22	Screw	2	009821-6-12		E-46	Worm Wheel	1		
E-23	Tack Length Feed Bracket	1	141827-0-01		E-47	Taper Pin	1	147111-0-01	
E-24	Screw	1	014760-6-22						

F



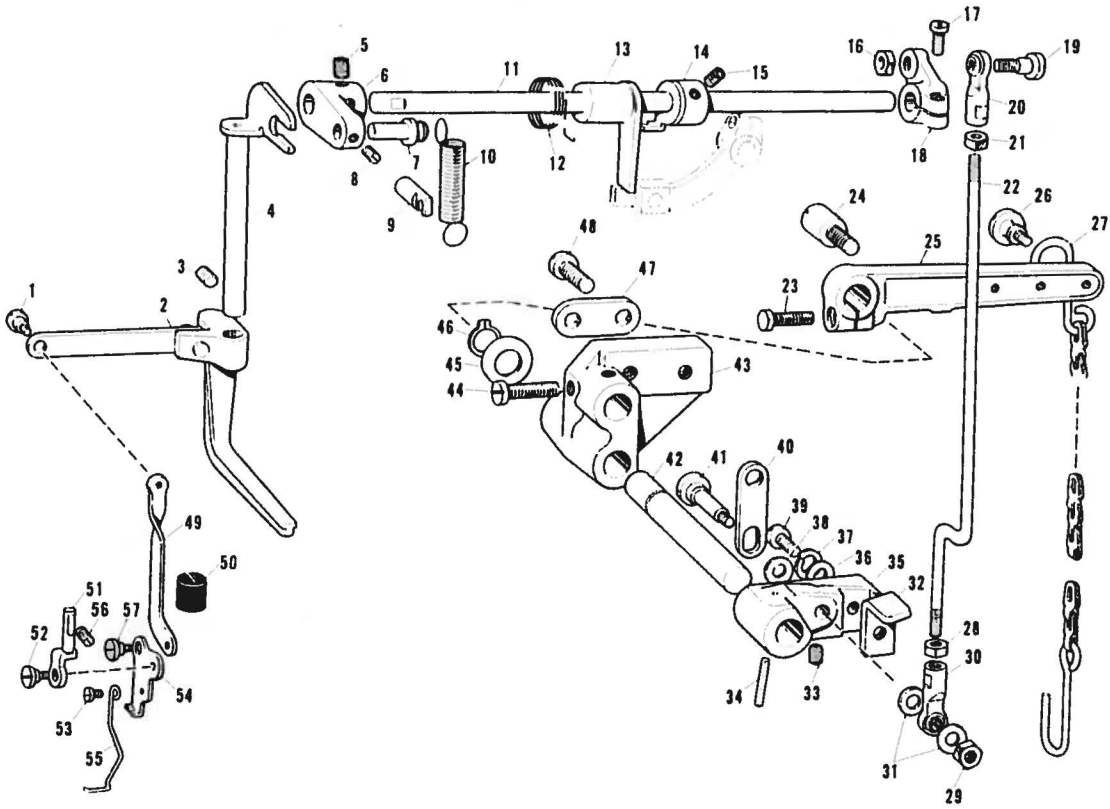
Ref. No.	Name of parts	Qty	Parts No.	Assembly No.	Ref. No.	Name of parts	Qty	Parts No.	Assembly No.
F-1	Screw	4	107038-0-01		F-26	Washer	1	028060-2-42	
F-2	Work Clamp Guide Plate	1	141849-0-01		F-27	Nut	1	021760-2-02	
F-3	Work Clamp (Left)	1			F-28	Felt	1	107149-0-01	
F-4	Work Clamp (Right)	1			F-29	Tack Width Feed Lever Bracket	1	141844-0-01	
F-5	Nut	1	144664-0-01		F-30	Screw	2	009821-6-12	
F-6	Adjusting Screw for Work Clamp	1	144463-0-01		F-31	Tack Width Regulator Lever	1	141838-0-01	
F-7	Presser Arm	1			F-32	Screw	1	403865-0-01	
F-8	Work Clamp Spring	1	141850-0-01		F-33	Bolt	2	117363-0-01	
F-9	Shaft	1	141851-0-01		F-34	Washer	2	113431-0-02	
F-10	Screw	1	100062-0-03		F-35	Roller Stud Guide Plate	1	141858-0-01	
F-11	Screw	1	013760-8-12		F-36	Feed Regulator Post	1	141855-0-01	
F-12	Screw	1	105156-0-03		F-37	Roller Stud	1	141856-0-01	
F-13	Screw	1	100062-0-03		F-38	Screw	1	141857-0-01	
F-14	Feed Plate Carrier	1	141853-0-01		F-39	Roller Stud Guide Plate	1	141858-0-01	
F-15	Screw	2	009761-0-12		F-40	Washer	2	113431-0-01	
F-16	Holder for Feed Plate Carrier	1	144475-0-01		F-41	Bolt	2	117363-0-01	
F-17	Collar	1	143539-0-01		F-42	Adjusting Screw	1	141842-0-01	
F-18	Screw	2	141860-0-01		F-43	Hinge Block Shaft	1	141840-0-01	
F-19	Screw	2	145045-0-01		F-44	Washer	1	141843-0-01	
F-20	Feed Plate Supporter	1	142217-0-01		F-45	Shaft	1	141841-0-00	
F-21	Feed Plate	1			F-46	Tack Width Adjuster	1	141839-0-01	
F-22	Roller	1			F-47	Presser Arm Stopper Screw	1	144885-0-01	
F-23	Roller Stud	1			F-48	Washer	1	107793-0-00	
F-24	Tack Width Feed Lever	1	141837-0-01		F-49	Screw	1	013760-8-12	
F-25	Screw	1	106764-0-01						

G

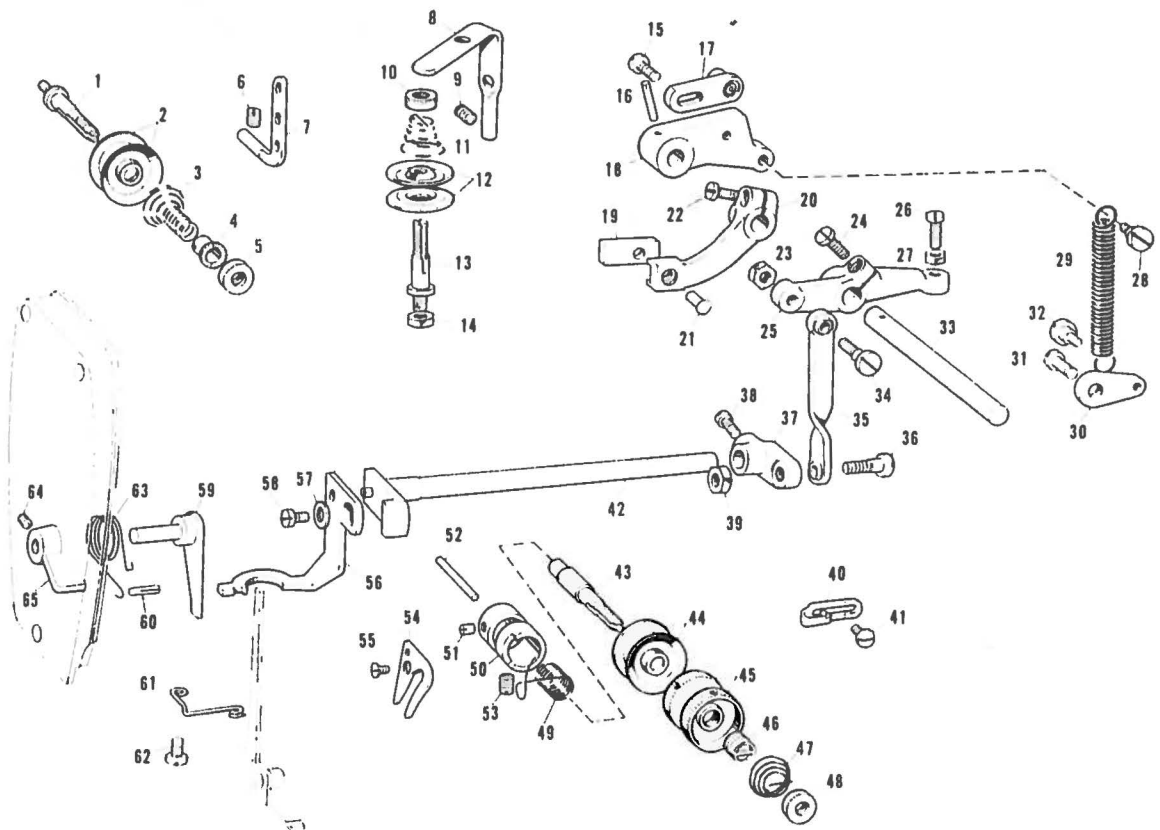


Ref. No.	Name of parts	Q'ty	Parts No.	Assembly No.	Ref. No.	Name of parts	Q'ty	Parts No.	Assembly No.
G- 1	Screw	2	106629-0-01		G-31	Slide Block	1	142211-0-01	
G- 2	Screw	2	100032-0-03		G-32	Stud Pin	1	141870-0-01	
G- 3	Screw	2	105970-0-01		G-33	Stopper	1	143706-0-00	
G- 4	Needle Hole Plate	1			G-34	Screw	1	013760-8-12	
G- 5	Needle Plate	1	147580-0-01		G-35	Nut	1	021710-2-02	
G- 6	Screw	1	105955-0-01		G-36	Spring Washer	1	028050-2-42	
G- 7	Knife Carrier Pinion	1	147597-0-01		G-37	Thread Trimming Lever	1	141867-0-01	
G- 8	Movable knife	1	147587-0-01		G-38	Screw	1	013710-5-12	
G- 9	Thread Retainer	1			G-39	Screw	1	014760-6-22	
G-10	Screw	1	105965-0-02		G-40	Felt	1	107149-0-01	
G-11	Pinion Stud Bracket	1	140024-0-01		G-41	Washer	1	115663-0-01	
G-12	Nut	1	021680-2-02		G-42	Roller	1	141868-0-01	
G-13	Fixed knife	1	147588-0-01		G-43	Roller Stud	1	141869-0-01	
G-14	Knife Guide	1			G-44	Thread Trimming Lever Shaft	1	141871-0-01	
G-15	Thread Guide	1	147591-0-01		G-45	Screw	1	141875-0-01	
G-16	Screw	2	100105-0-04		G-46	Nut	1	105812-0-01	
G-17	Screw	2	106396-0-02		G-47	Shaft	1	141886-0-01	
G-18	Knife Bar Guide Plate (A)	1	141876-0-01		G-48	Nut	1	021760-2-02	
G-19	Knife Bar	1	141872-0-01		G-49	Screw	1	013760-6-12	
G-20	Knife Bar Rack	1	141874-0-01		G-50	Spring	1	141887-0-01	
G-21	Washer	1	113431-0-02		G-51	Thread Trimming Lever Plate	1	141884-0-01	
G-22	Spring Washer	1	028050-2-42		G-52	Washer	1	025060-2-32	
G-23	Bolt	1	117363-0-01		G-53	Stud Screw	1	115488-0-01	
G-24	Knife Bar Pulling Spring	1			G-54	Roller	1	115445-0-01	
G-25	Screw	1	014760-6-22		G-55	Supporter Plate	1	147266-0-01	
G-26	Spring Adjusting Bar	1	141879-0-01		G-56	Spring Washer	1	028050-2-42	
G-27	Screw	2	009761-4-12		G-57	Nut	1	021710-2-02	
G-28	Clip Ring	1	048050-3-42		G-58	Washer	2	025710-1-32	
G-29	Washer	1	025770-2-32		G-59	Bolt	2	117363-0-01	
G-30	Knife Bar Guide Plate (B)	1	141877-0-01		G-60	Stud Screw	1	118244-0-01	

H

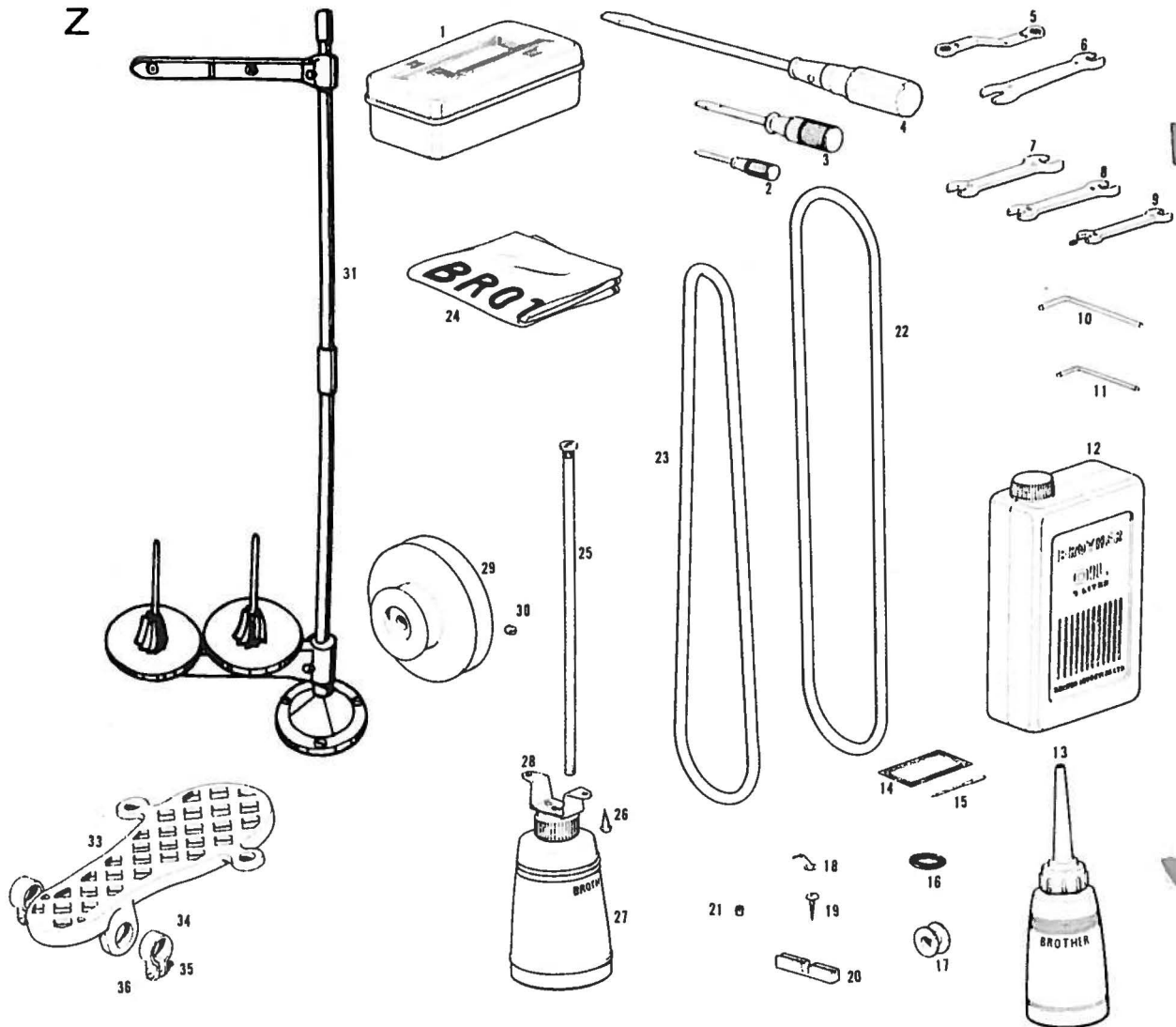


Ref. No.	Name of parts	Q'ty	Parts No.	Assembly No.	Ref. No.	Name of parts	Q'ty	Parts No.	Assembly No.
H-1	Stud Screw	1	141927-0-01		H-30	Ball Joint	1	141492-0-01	
H-2	Work Clamp Lifter Holder	1	141904-0-01		H-31	Washer	2	025770-2-32	
H-3	Screw	1	014770-6-22		H-32	Lifting Lever Arm Pawl	1	141882-0-01	
H-4	Work Clamp Lifter	1	141903-0-01		H-33	Screw	1	013710-7-12	
H-5	Screw	2	014760-6-22		H-34	Spring Pin	1	047502-2-42	
H-6	Lifting Arm (Front)	1	141900-0-01		H-35	Lifting Lever Arm	1	141881-0-01	
H-7	Stud Pin	1	141901-0-01		H-36	Washer	1	025770-2-32	
H-8	Screw	1	013680-6-12		H-37	Spring Washer	1	028770-2-42	
H-9	Spring Hook	1	142009-0-01		H-38	Washer	1	025770-2-32	
H-10	Spring	1	141902-0-01		H-39	Screw	1	009771-4-12	
H-11	Work Clamp Lifting Shaft	1	141899-0-01		H-40	Connecting Plate	1	141888-0-01	
H-12	Spring	1	141909-0-01		H-41	Stud Screw	1	141889-0-01	
H-13	Nipper Operating Lever	1	141907-0-01		H-42	Lifting Lever Shaft	1	141883-0-01	
H-14	Collar	1	141908-0-01		H-43	Lifting Lever Bracket	1	141890-0-01	
H-15	Screw	2	014770-6-22		H-44	Screw	1	009772-0-12	
H-16	Nut	1	021780-3-02		H-45	Washer	1	115007-0-02	
H-17	Screw	1	009711-4-12		H-46	Stop Ring	1	048120-1-42	
H-18	Lifting Arm (Reaf)	1	141897-0-01		H-47	Washer	1	141891-0-01	
H-19	Screw	1	141898-0-01		H-48	Screw	2	009822-0-12	
H-20	Ball Joint	1	141492-0-01		H-49	Thread Wiper Connecting Plate	1	141929-0-01	
H-21	Nut	1	021760-2-02		H-50	Oil Cap	1	141931-0-01	
H-22	Connecting Bar	1	141896-0-01		H-51	Thread Wiper Supporter	1	141925-0-01	
H-23	Bolt	1	017761-6-12		H-52	Stud Screw	1	141927-0-01	
H-24	Stopper for Lifting Lever	1	141894-0-01		H-53	Screw	1	009670-5-14	
H-25	Work Clamp Lifter	1	141892-0-01		H-54	Thread Wiper Set Plate (A)	1	141926-0-01	
H-26	Stud Screw	1	141893-0-01		H-55	Thread Wiper (A)	1	141928-0-01	
H-27	Chain	1	106333-0-01		H-56	Screw	1	013711-0-12	
H-28	Nut	1	021760-2-02		H-57	Stud Screw	1	141927-0-01	
H-29	Nut	1	021780-2-02						



Ref. No.	Name of parts	Q'ty	Parts No.	Assembly No.	Ref. No.	Name of parts	Q'ty	parts No.	Assembly No.
1-1	Sub Tension Stud	1	113740-0-01	141758-0-01	1-34	Screw	1	141898-0-01	
1-2	Tension Disc	2	145446-0-01		1-35	Thread Nipper Connecting Plate	1	141918-0-01	
1-3	Sub Tension Spring	1	105278-0-00		1-36	Screw	1	141898-0-01	
1-4	Sub Tension Washer	1	144105-0-00		1-37	Thread Nipper Connecting Joint	1	141920-0-01	
1-5	Sub Tension Control Nut	1	105230-0-01		1-38	Screw	1	105163-0-01	
1-6	Screw	1	013711-0-12		1-39	Nut	1	021780-3-02	
1-7	Thread Retainer	1	141989-0-01		1-40	Arm Thread Guide Upper	1	113316-0-01	
1-8	Thread Guide for Hobbin Winder	1	141759-0-01		1-41	Screw	1	112751-0-01	
1-9	Screw	1	013710-7-12		1-42	Thread Nipper Connecting Shaft	1	141922-0-01	
1-10	Tension Control Nut	1	100136-0-01		1-43	Tension Stud	1	147642-0-01	
1-11	Tension Spring	1	104525-0-01		1-44	Tension Disc	2	145446-0-01	
1-12	Tension Disc	2	145446-0-01		1-45	Tension Release Adjusting Knob	2	117487-0-01	
1-13	Tension Stud	1	145273-0-01		1-46	Tension Release Adjusting Screw	1	117488-0-01	
1-14	Nut	1	021780-2-02	1-47	Tension Spring	1	104525-0-01		
1-15	Screw	1	106396-0-02	1-48	Tension Control Nut	1	100136-0-01		
1-16	Spring Pin	1	047301-8-42	1-49	Thread Take-up Spring	1			
1-17	Thread Nipper Lever Roller	1	141912-0-01	1-50	Tension Bracket	1	115593-0-01		
1-18	Thread Nipper Lever	1	145705-0-01	1-51	Screw	1	106449-0-01		
1-19	Thread Nipper Adjusting Lever Pawl	1	141916-0-01	1-52	Tension Release Pin	1	147643-0-01		
1-20	Thread Nipper Adjusting Lever	1		1-53	Screw	1	013760-7-12		
1-21	Pin	1		1-54	Thread Guide Plate	1	141993-0-01		
1-22	Screw	1		1-55	Screw	1	108960-0-03		
1-23	Nut	1	021780-2-02	1-56	Thread Nipper Fastening Plate	1	141923-0-01		
1-24	Screw	1	009711-4-12	1-57	Washer	1	113431-0-02		
1-25	Thread Nipper Connecting Lever	1	141917-0-01	1-58	Screw	1	106396-0-02		
1-26	Screw	1	009712-0-12	1-59	Tension Release Lever	1	141996-0-01		
1-27	Nut	1	021710-2-02	1-60	Pin	1	120034-0-01		
1-28	Stud Screw	1	110171-0-02	1-61	Arm Thread Guide Lower	1	147316-0-01		
1-29	Spring	1	115570-0-01	1-62	Screw	1	009680-8-14		
1-30	Adjusting Plate	1	115558-0-01	1-63	Spring	1	141997-0-01		
1-31	Screw	1	009761-2-12	1-64	Screw	1	014680-6-22		
1-32	Stud Screw	1	110171-0-02	1-65	Nipper Operating Lever	1	141995-0-01		
1-33	Thread Nipper Lever Shaft	1	147253-0-01						

Z



Ref. No.	Name of parts	Q'ty	Parts No.	Assembly No.	Ref. No.	Name of parts	Q'ty	Parts No.	Assembly No.
Z- 1	Accessory Box	1	110436-0-01		Z-19	Screw	1	031311-3-02	
Z- 2	Screwdriver 6×40	1	122738-0-01		Z-20	Belt Connector Base	1	143877-0-01	
Z- 3	Screwdriver 5.5×75	1	122739-0-01		Z-21	Screw	1	013761-0-12	
Z- 4	Screwdriver 6.4×204	1	100472-0-01		Z-22	Belt	1		
Z- 5	Spanner 8×9	1	105343-0-01		Z-23	Belt	1		
Z- 6	Spanner 14×17	1	116715-0-01		Z-24	Head Cover	1	144226-0-01	
Z- 7	Spanner 10×12	1	107780-0-01		Z-25	Vinyl Tube	1	141763-0-01	
Z- 8	Spanner 8×9	1	100887-0-01		Z-26	Screw	2	101118-0-01	
Z- 9	Spanner 6×7	1	107779-0-01		Z-27	Dust Oiler	1	114486-0-01	
Z-10	Allen Wrench (2mm)	1	142002-0-01		Z-28	Dust Oiler Supporter	1	142003-0-01	
Z-11	Allen Wrench (3mm)	1	142721-0-01		Z-29	Motor Pulley	1		
Z-12	Oil	1	145277-0-03		Z-30	Screw	2	013761-2-12	
Z-13	Oiler	1	114483-0-01		Z-31	Cotton Stand	1	142972-0-01	
Z-14	Needle Bag	1	108962-0-01						
Z-15	Needle	5			Z-33	Foot Pedal	2	147623-0-01	
Z-16	Rubber Ring	1	120448-0-01		Z-34	Foot Pedal Stopper	4	116016-0-01	
Z-17	Bobbin	5	145265-0-01		Z-35	Nut	4	021400-1-06	
Z-18	Tube Holder	1	117150-0-01		Z-36	Screw	4	001401-4-16	

DIFFERENT PARTS LIST

Ref No	Name of parts	Sub-class	1	2	3	4	5	6	7	8	9
B	Needle bar				141776001			144238001		141776001	
B 15	Needle		105771016		105771011	105771016	105771011	14 466021		10571016	
B 38	Worm		141813001	4 3001			14 813001		142223001	141813001	142223001
B 86	Shuttle driver				141 97001						141797001
B-87	Screw				141799001						141799001
B-88	Shuttle Driver Spring				141798001						141798001
B-86-88	Shuttle driver assembly				141796001						141796001
B-90	Shuttle Race Thread Guide				147575001			147576001			147575001
B-100	Shuttle Driver							144478001			
E-26	Roller				1471 7001			144255001			47187001
E-27	Roller stud				141 001			144256001			141824001
E-36	Feed cam		141818001	14 0001		142383001		144490001	144467001	144490001	144492001
E-37	Knife cam B		141821001	14 22001		142385001		141821001	142222001	141821001	142222001
E-38	Knife cam A		141820001	142 1001		142384001		145048001	145049001	141 0001	142221001
E-42	Clutch stopper cam		141819001	14 8001			141819001		142228001	141819001	142228001
E-34-42	Feed cam assembly		141817001	14 1001		142382001		144468001	144466001	144489001	144491001
E-46	Worm wheel		141814001	14 4001			141814001		142224001	141 14001	142224001
F-3	Work clamp (left)		141848001	142389001	14 1	142389001	142260001	144462001	144482001	144601001	141848001
F-4	Work clamp (right)		141847001	14 388001	14 1	142388001	14225000	14446100	14481001	144600001	141847001
F-7	Presser arm				14 2001				144480001		146320001
F-21	Feed plate		147146001		147147001			147309001			147146001
F-22	Roller				1471 7001			144 5001			147187001
F-23	Roller stud				141824001			144256001			141824001
F-47	Presser arm stopper screw							144485001			
F-48	Washer							107793000			
F-49	Screw							013760812			
G-4	Needle hole plate		147582001		147581001	147582001	147581001	147583001			147582001
G-9	Thread retainer				147585001			147586001			147585001
G-14	Knife guide				147589001			147590001			147589001
G-3-16	Needle Plate Assembly		147578001		147577001	147578001	147577001	147579001			147601001
G-24	Knife Bar Pulling Spring				142565001			144589001			42565001
I-49	Thread take-up spring				100399001			144588001			100399001
I-43-51	Tension Control Assembly				147644001			147645001			147644001
Z-15	Needle		105771016		105771011	105771016	105771011	145646021			105771016
Z-22	Belt	50Hz						147660000			
		60Hz						147661000			
Z 23	Belt	50Hz						147655000			
		60Hz						147657000			
Z 29	Motor pulley	50Hz						144645001			
		60Hz						144641001			

INDEX

Parts No.	Ref. No.	Remark	Parts No.	Ref. No.	Remark	Parts No.	Ref. No.	Remark	Parts No.	Ref. No.	Remark
001401-4-16	Z-36		017781-4-12	C-91		100250-0-01	B-26		115007-0-02	D-2	
009670-4-14	B-12		017782-0-12	C-44		100251-0-01	D-29		"	D-10	
009670-5-14	H-53		"	C-58		100253-0-01	B-18		"	H-45	
009670-6-12	A-8		"	E-30		100399-0-01	I-49		115389-0-02	D-13	
009680-6-12	A-38		018103-0-20	C-85		100472-0-01	Z-4		"	E-18	
"	B-57		021060-1-02	A-72		100486-0-00	A-26		115404-0-01	B-11	
009680-7-13	A-85		021400-1-06	Z-35		"	A-80		115434-0-01	B-67	
009680-8-14	I-62		021680-2-02	G-12		100598-0-01	B-43		115445-0-01	G-54	
009681-2-10	B-62		021710-2-02	C-25		100887-0-01	Z-8		115488-0-01	G-53	
009661-4-14	E-11		"	G-35		101015-0-01	A-83		115489-0-01	B-13	
009711-2-12	C-79		"	G-57		101118-0-01	Z-26		115515-0-01	B-42	
009711-4-12	A-1		"	I-27		101275-0-04	E-16		115544-0-01	C-20	
"	B-84		021760-2-02	D-15		101706-0-01	B-25		115546-0-01	C-23	
"	E-34		"	D-17		102626-0-05	B-14		115547-0-01	C-47	
"	H-17		"	D-19		102731-0-22	A-24		115549-0-01	C-55	
"	I-24		"	D-33		"	A-79		115550-0-01	C-53	
009712-0-12	I-26		"	E-29		103317-0-01	A-48		115551-0-01	C-51	
009761-0-12	C-69		"	F-27		104212-0-01	A-52		115552-0-01	C-48	
"	F-15		"	G-48		104450-0-01	A-60		115558-0-01	C-28	
009761-2-12	C-26		"	H-21		104525-0-01	I-11		"	I-30	
"	I-31		"	H-28		"	I-47		115570-0-01	I-29	
009761-4-12	A-33		021770-1-03	D-24		104649-0-01	I-51		115593-0-01	I-50	
"	C-73		021780-2-02	E-14		104689-0-01	B-54		115663-0-01	G-41	
"	G-27		"	H-29		105156-0-03	F-12		116016-0-01	Z-34	
009771-0-12	C-70		"	I-14		105163-0-01	I-38		116231-0-01	A-77	
009771-4-12	D-9		"	I-23		105230-0-01	I-5		116715-0-01	Z-6	
"	H-39		021780-3-02	H-16		105278-0-00	I-4		116827-0-01	B-94	
009772-0-12	H-44		"	I-39		105333-0-01	H-27		116828-0-01	B-99	
009781-4-12	B-3		021860-2-02	C-49		"			116967-0-00	A-13	
"	E-39		025060-2-32	A-65		105343-0-01	Z-5		116968-0-00	A-11	
009821-6-12	E-22		"	G-52		105771-0-11	B-15, Z-15		"	A-12	
"	F-30		025060-3-32	A-71		105771-0-16	B-15, Z-15		"	A-36	
009822-0-12	H-48		025080-1-32	E-4		105812-0-01	G-46		116969-0-00	A-18	
009841-6-12	A-63		025100-1-32	C-32		105812-0-02	E-3		117021-0-01	A-7	
003680-6-12	C-87		"	C-41		105831-0-01	B-97		117150-0-01	A-9	
"	E-7		"	C-52		105832-0-00	B-96		"	Z-18	
"	H-8		025710-1-32	G-58		105844-0-03	E-33		117348-0-01	C-18	
013689-4-12	A-42		025770-2-32	C-46		105955-0-01	G-6		117363-0-01	F-33	
013710-5-12	G-38		"	C-60		105965-0-02	G-10		"	F-41	
013710-7-12	H-33		"	C-93		105970-0-01	G-3		"	G-23	
"	I-9		"	D-32		106396-0-02	G-17		"	G-59	
013711-0-12	H-56		"	E-15		"	I-15		117487-0-01	I-45	
"	I-6		"	E-32		"	I-58		117488-0-01	I-46	
013760-6-12	G-49		"	E-41		106629-0-01	G-1		117671-0-02	D-28	
013760-7-12	I-53		"	G-29		106764-0-01	B-47		117934-0-01	A-6	
013760-8-12	B-73		"	H-31		"	F-25		"	A-19	
"	F-11		"	H-36		106812-0-01	D-37		117936-0-01	B-1	
"	F-49		"	H-38		107038-0-01	F-1		118244-0-01	G-60	
"	G-34		028050-2-42	C-24		107053-0-01	B-31		118735-0-02	D-22	
013761-0-12	A-66		"	G-22		107149-0-01	B-50		118768-0-00	A-14	
"	B-41		"	G-36		"	B-83		118768-0-01	B-58	
"	B-53		"	G-56		"	C-29		118955-0-00	A-15	
"	Z-21		028060-2-42	E-28		"	C-31		120034-0-01	I-60	
013761-2-12	B-21		"	F-26		"	C-74		120448-0-01	A-56	
"	B-27		028770-2-42	C-45		"	E-36		"	Z-16	
"	B-33		"	C-59		"	F-28		122738-0-01	Z-2	
"	B-66		"	C-92		"	G-40		122739-0-01	Z-3	
"	Z-30		"	D-23		107153-0-01	C-37		140024-0-01	G-11	
013761-4-12	C-4		"	D-31		107779-0-03	Z-9		140392-0-01	A-4	
013770-6-12	B-23		"	E-31		107780-0-01	Z-7		"	A-73	
013780-7-10	B-22		"	E-40		107793-0-01	F-48		"	A-75	
014680-6-22	B-55		"	H-37		108805-0-01	A-81		140399-0-01	C-43	
"	B-70		031311-3-02	Z-19		108960-0-03	I-55		140557-0-01	A-41	
"	I-64		046302-5-20	C-63		108962-0-01	Z-14		140560-0-01	B-29	
014760-6-22	B-7		047301-8-42	I-16		109184-0-01	C-11		"	B-35	
"	B-37		047502-2-42	H-34		110171-0-02	C-27		141281-0-01	C-13	
"	B-80		048040-3-42	C-86		"	I-28		141282-0-01	C-7	
"	C-35		048050-3-42	G-28		"	I-32		141283-0-01	C-16	
"	C-62		048070-3-42	C-38		"	C-89		141284-0-00	C-14	
"	C-78		048100-1-42	C-33		110436-0-01	Z-1		141285-0-01	C-15	
"	C-80		"	C-40		110495-0-03	B-77		141289-0-01	C-17	
"	C-82		048120-1-42	D-1		110686-0-01	B-49		141289-0-01	C-19	
"	D-6		"	D-11		111942-0-01	A-49		141492-0-01	H-20	
"	E-1		"	H-46		111943-0-01	A-50		"	H-30	
"	E-24		100032-0-03	G-2		112750-0-00	B-60		141535-0-01	C-67	
"	G-25		100062-0-03	F-10		112751-0-01	I-41		141742-0-01	A-17	
"	G-39		"	F-13		112751-0-03	A-21		141744-0-01	A-16	
"	H-5		100064-0-05	B-93		113316-0-01	I-40		"	A-34	
014770-6-22	B-72		100075-0-04	C-50		113431-0-01	F-40		141745-0-01	A-31	
"	B-76		100080-0-01	A-51		113431-0-02	F-34		141748-0-01	A-28	
"	C-10		100105-0-04	B-89		"	G-21		141751-0-01	A-23	
"	E-45		"	G-16		"	I-57		141752-0-01	A-43	
"	H-3		100136-0-01	I-10		113740-0-01	I-1		141753-0-01	A-37	
"	H-15		"	I-48		114240-0-00	A-29		141757-0-01	A-47	
017761-6-12	H-23		100191-0-04	B-87		114483-0-01	Z-13		141759-0-01	I-8	
017771-4-12	D-30		100242-0-03	A-32		114486-0-01	Z-27		141760-0-00	A-85	

Parts No.	Ref. No.	Remark	Parts No.	Ref. No.	Remark	Parts No.	Ref. No.	Remark	Ref. No.	Ref. No.	Remark
141761-0-01	A-68		141883-0-01	H-42		142088-0-01	B-95		144588-0-01	I-49	
141762-0-01	A-82		141884-0-01	G-51		142122-0-01	E-17		144589-0-01	G-24	
141763-0-01	Z-25		141886-0-01	G-47		142210-0-01	B-69		144600-0-01	F-4	
141765-0-01	B-32		141887-0-01	G-50		142211-0-01	B-6		144601-0-01	F-3	
141766-0-01	B-45		141888-0-01	H-40			E-8		144641-0-01	Z-29	
141770-0-01	B-48		141889-0-01	H-41			G-31		144645-0-01		
141771-0-01	B-34		141890-0-01	H-43		142214-0-01	C-36		145045-0-01	F-19	
141772-0-01	B-28		141891-0-01	H-47		142217-0-01	F-20		145048-0-01	E-38	
141773-0-00	B-24		141882-0-01	H-25		142220-0-01	E-36		145049-0-01		
141775-0-01	B-8		141893-0-01	D-36		142221-0-01	E-38		145265-0-01	B-98	
141776-0-01	B-5			H-26		142222-0-01	E-37			Z-17	
141777-0-01	B-2		141894-0-01	H-24		142223-0-01	B-38		145273-0-01	I-13	
141778-0-01	B-9		141896-0-01	H-22		142224-0-01	E-46		145274-0-01	A-45	
141779-0-01	B-10		141897-0-01	H-18		142225-0-01	F-4		145277-0-03	Z-12	
141780-0-00	B-4		141898-0-01	H-19		142226-0-01	F-3		145446-0-01	I-2	
141781-0-01	C-8			I-34		142228-0-01	F-42			I-12	
141782-0-01	C-6			I-36		142553-0-01	A-10			I-44	
141783-0-01	C-3		141899-0-01	H-11		142270-0-01	D-35		145646-0-01	B-15, Z-15	
141784-0-01	C-2		141900-0-01	H-6		142274-0-01	A-5		145705-0-01	I-18	
141785-0-01	B-51		141901-0-01	H-7			B-40		145978-0-01	G-34	
141786-0-01	B-65		141902-0-01	H-10			B-64		146255-0-00	A-69	
141787-0-01	B-61		141903-0-01	H-4		142293-0-01	B-59		146332-0-01	F-77	
141788-0-01	B-52		141904-0-01	H-2		142379-0-01	B-56		146984-0-01	A-46	
141789-0-01	B-63		141907-0-01	H-13		142381-0-01	E-34 E-42		147111-0-01	C-9	
141793-0-01	B-71		141908-0-01	H-14		142382-0-01	F-34 E-42			E-47	
141794-0-01	B-68		141909-0-01	H-12		142383-0-01	E-36		147142-0-01	B-75	
141796-0-01	B-86 B-88		141912-0-01	I-17		142384-0-01	E-38		147146-0-01	F-21	
141797-0-01	B-86		141916-0-01	I-19		142385-0-01	E-37		147147-0-01		
141798-0-01	B-88		141917-0-01	I-25		142388-0-01	F-4		147151-0-00	B-36	
141799-0-01	B-87		141918-0-01	I-35		142389-0-01	F-3		147158-0-01	A-39	
141801-0-01	B-74		141920-0-01	I-37		142422-0-01	A-62		147159-0-01	A-35	
141805-0-01	B-91		141922-0-01	I-42		142433-0-01	D-14		147164-0-00	E-12	
141806-0-01	B-79		141923-0-01	I-56			D-20		147167-0-01	E-21	
141808-0-01	B-85		141925-0-01	H-51		142565-0-01	G-24		147187-0-01	E-26	
141812-0-01	A-87		141926-0-01	H-54		142566-0-01	A-44			F-22	
141813-0-01	B-38		141927-0-01	H-1		142667-0-01	C-21		147207-0-00	A-40	
141814-0-01	E-46			H-52		142721-0-01	Z-11		147253-0-01	I-33	
141815-0-01	E-43			H-57		142751-0-01	C-12		147256-0-00	A-25	
141816-0-01	E-44		141928-0-01	H-55		142792-0-01	B-78		147266-0-01	G-55	
141817-0-01	E-34 E-42		141929-0-01	H-49		142794-0-01	B-39		147268-0-00	A-88	
141818-0-01	E-36		141931-0-01	H-50		142972-0-01	Z-31		147309-0-01	F-21	
141819-0-01	E-42		141950-0-01	C-42		143190-0-01	D-18		147316-0-01	I-61	
141820-0-01	E-38		141951-0-01	C-56		143231-0-01	A-76		147575-0-01	B-90	
141821-0-01	E-37		141953-0-01	C-39		143444-0-01	B-44		147576-0-01		
141824-0-01	E-27			C-57		143448-0-00	C-1		147577-0-01	G-3 G-16	
	F-23		141957-0-01	C-75			C-5		147578-0-01		
141826-0-01	E-25		141958-0-01	C-81		143449-0-01	A-3		147579-0-01		
141827-0-01	E-23		141959-0-01	C-66		143450-0-01	A-84		147580-0-01	G-5	
141831-0-01	E-20		141960-0-01	C-65		143539-0-01	F-17		147581-0-01	G-4	
141833-0-01	E-5		141961-0-01	C-64		143556-0-01	B-30		147582-0-01		
141834-0-01	D-12		141962-0-01	C-61		143557-0-01	A-20		147583-0-01		
	E-6		141963-0-01	C-77		143706-0-00	G-33		147585-0-01	G-9	
141835-0-01	E-2		141964-0-01	C-76		143858-0-01	B-46		147586-0-01		
141837-0-01	E-24		141965-0-01	C-83		143877-0-01	Z-20		147587-0-01	G-8	
141838-0-01	F-31		141966-0-01	C-84		143941-0-01	C-22		147588-0-01	G-13	
141839-0-01	F-46		141970-0-01	C-72		143988-0-01	D-21		147589-0-01	G-14	
141840-0-01	F-43		141972-0-01	C-88		144105-0-00	I-4		147590-0-01		
141841-0-00	F-45		141973-0-01	C-90		144190-0-00	B-92		147591-0-01	G-15	
141842-0-01	F-42		141974-0-01	C-94		144226-0-01	Z-24		147597-0-01	G-7	
141843-0-01	F-44		141975-0-01	C-68		144238-0-01	B-5		147601-0-01	G-3 G-16	
141844-0-01	F-29		141977-0-01	D-8		144255-0-01	E-26		147623-0-01	Z-33	
141847-0-01	F-4		141978-0-01	D-7			F-22		147639-0-01	C-54	
141848-0-01	F-3		141979-0-01	D-5		144256-0-01	E-27		147642-0-01	I-43	
141849-0-01	F-2		141980-0-01	D-4			F-23		147643-0-01	I-52	
141850-0-01	F-8		141981-0-01	D-3		144427-0-01	C-30		147644-0-01	I-43 I-51	
141851-0-01	F-9		141983-0-01	D-16		144461-0-01	F-4		147645-0-01		
141853-0-01	F-14		141984-0-01	D-26		144462-0-01	F-3		147660-0-00	Z-22	
141855-0-01	F-36		141985-0-01	D-25		144463-0-01	F-6		147661-0-00		
141856-0-01	F-37		141986-0-01	D-27		144464-0-01	F-5		147655-0-01	Z-23	
141857-0-01	F-38		141988-0-01	D-34		144466-0-01	E-34 E-42		147657-0-01		
141858-0-01	F-35		141989-0-01	I-7		144467-0-01	E-36		147667-0-01	A-70	
	F-39		141993-0-01	I-54		144468-0-01	E-34 E-42		403865-0-01	F-32	
141860-0-01	F-18		141994-0-01	A-2		144469-0-01	E-36				
141867-0-01	G-37		141995-0-01	I-55		144473-0-01	E-19				
141868-0-01	G-42		141996-0-01	I-59		144475-0-01	F-16				
141869-0-01	G-43		141997-0-01	I-63		144478-0-01	B-100				
141870-0-01	G-32		141999-0-01	A-57		144480-0-01	F-7				
141871-0-01	G-44		142000-0-01	A-67		144481-0-01	F-4				
141872-0-01	G-19		142001-0-01	A-58		144482-0-01	F-3				
141874-0-01	G-20		142002-0-01	Z-10		144485-0-01	F-47				
141875-0-01	G-45		142003-0-01	Z-28		144489-0-01	E-34 E-42				
141876-0-01	G-18		142005-0-01	A-59		144490-0-01	E-36				
141877-0-01	G-30		142009-0-01	H-9		144491-0-01	E-34 E-42				
141879-0-01	G-26		142087-0-00	A-27		144492-0-01	E-36				
141881-0-01	H-35			A-30		144536-0-01	C-21				
141882-0-01	H-32			A-74		144543-0-01	A-64				

